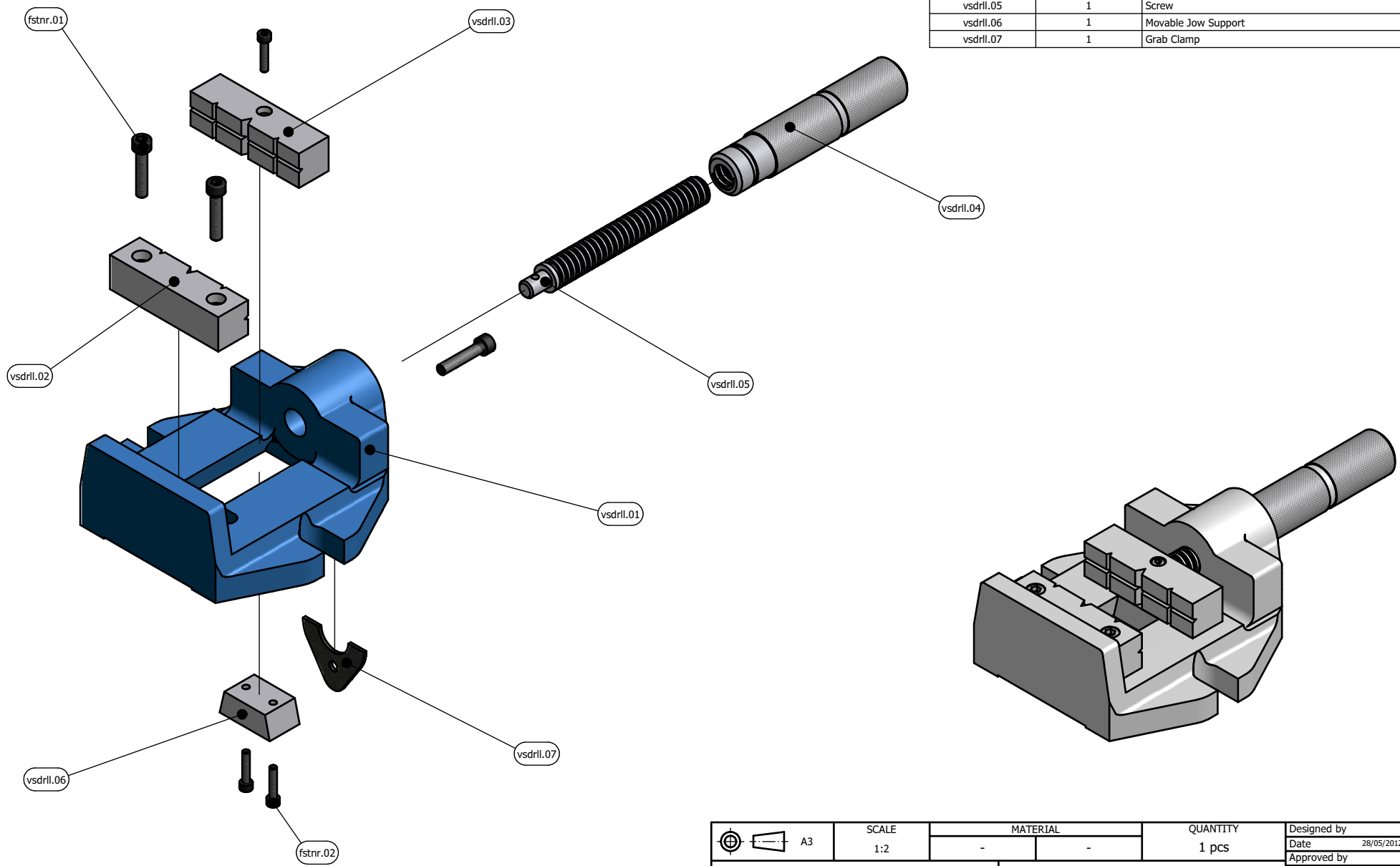
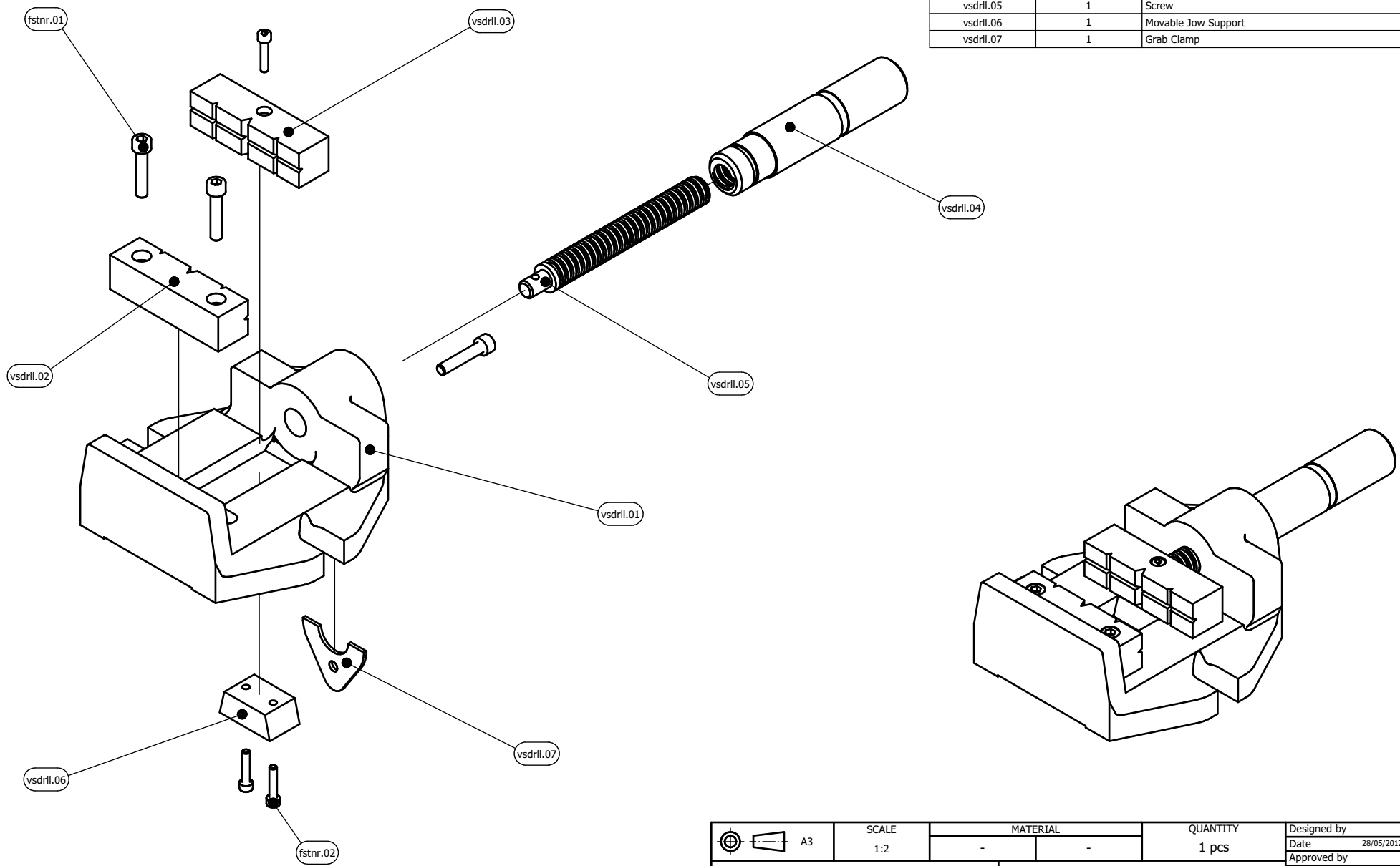


| ITEM      | QTY | TITLE               |
|-----------|-----|---------------------|
| fstrn.01  | 3   | Socket Head M6 x 30 |
| fstrn.02  | 3   | Socket Head M4 x 20 |
| vsdrll.01 | 1   | Base                |
| vsdrll.02 | 1   | Jow                 |
| vsdrll.03 | 1   | Movable Jow         |
| vsdrll.04 | 1   | Clamp Screw         |
| vsdrll.05 | 1   | Screw               |
| vsdrll.06 | 1   | Movable Jow Support |
| vsdrll.07 | 1   | Grab Clamp          |

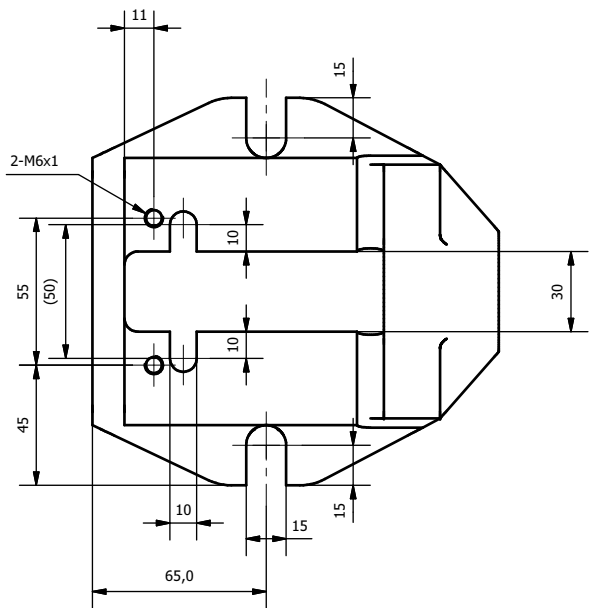


|                     |              |                   |   |          |  |
|---------------------|--------------|-------------------|---|----------|--|
| A3                  | SCALE<br>1:2 | MATERIAL          |   | QUANTITY | Designed by<br>Date 28/05/2012<br>Approved by<br>Date<br>Job<br>Date<br>Attachment 1 Sheet 8 |
|                     |              | -                 | - | 1 pcs    |  |
| <b>MESIN FT UNY</b> |              | <b>WISE DRILL</b> |   |          | Attachment 1 Sheet 8   |
|                     |              | vsdrll            | - |          |  |

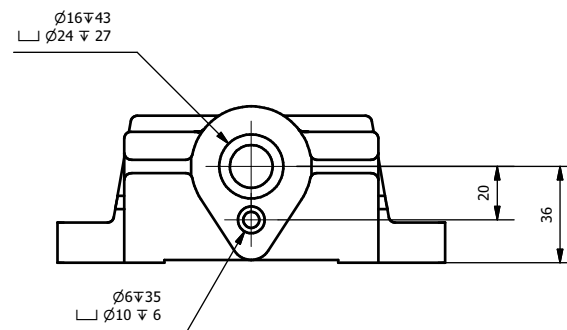
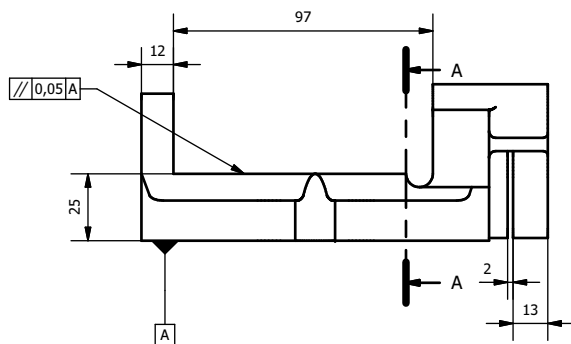
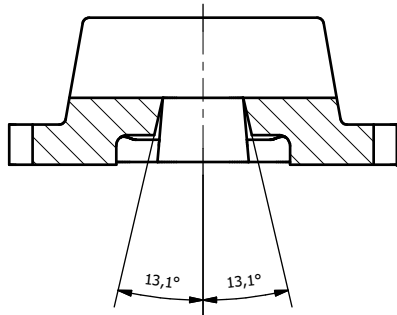
| ITEM      | QTY | TITLE               |
|-----------|-----|---------------------|
| fstrn.01  | 3   | Socket Head M6 x 30 |
| fstrn.02  | 3   | Socket Head M4 x 20 |
| vsdrll.01 | 1   | Base                |
| vsdrll.02 | 1   | Jow                 |
| vsdrll.03 | 1   | Movable Jow         |
| vsdrll.04 | 1   | Clamp Screw         |
| vsdrll.05 | 1   | Screw               |
| vsdrll.06 | 1   | Movable Jow Support |
| vsdrll.07 | 1   | Grab Clamp          |



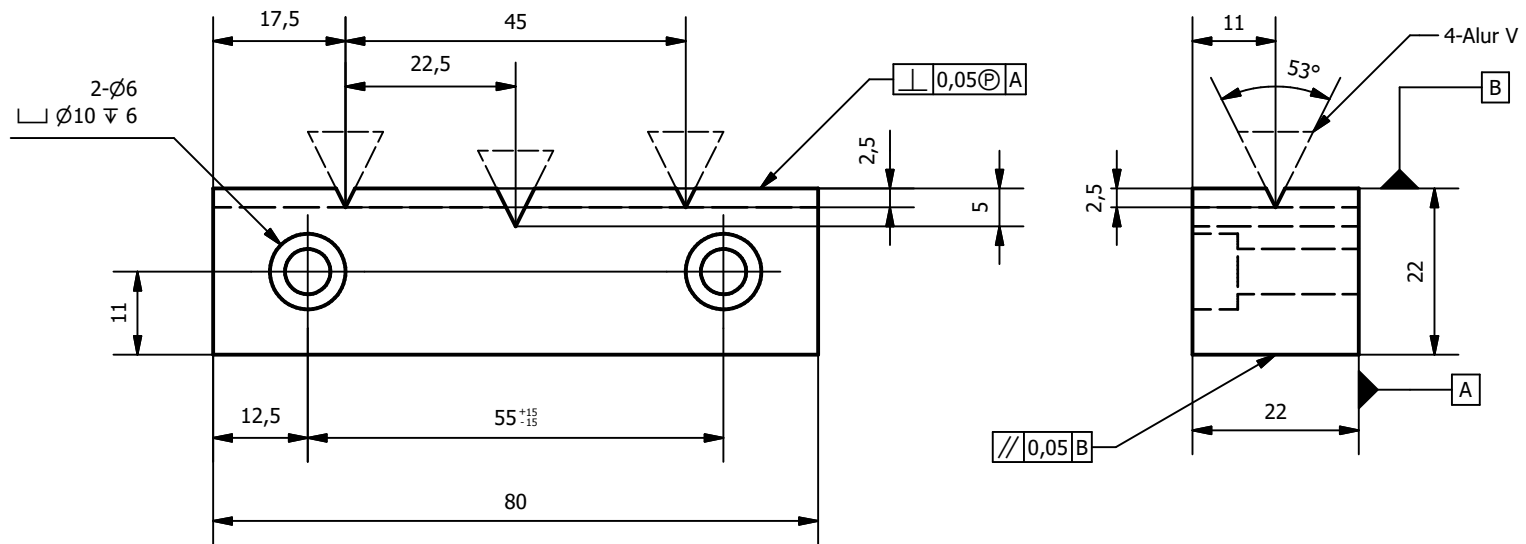
|              |       |            |          |                 |
|--------------|-------|------------|----------|-----------------|
| A3           | SCALE | MATERIAL   | QUANTITY | Designed by     |
|              | 1:2   | -          | 1 pcs    | Date 28/05/2012 |
| MESIN FT UNY |       | VISE DRILL |          | Approved by     |
|              |       | vsdrll     | -        | Date            |
|              |       | Attachment | Sheet    |                 |
|              |       | 1          | 1        | 8               |



A-A  
(1:2)

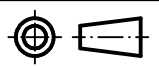


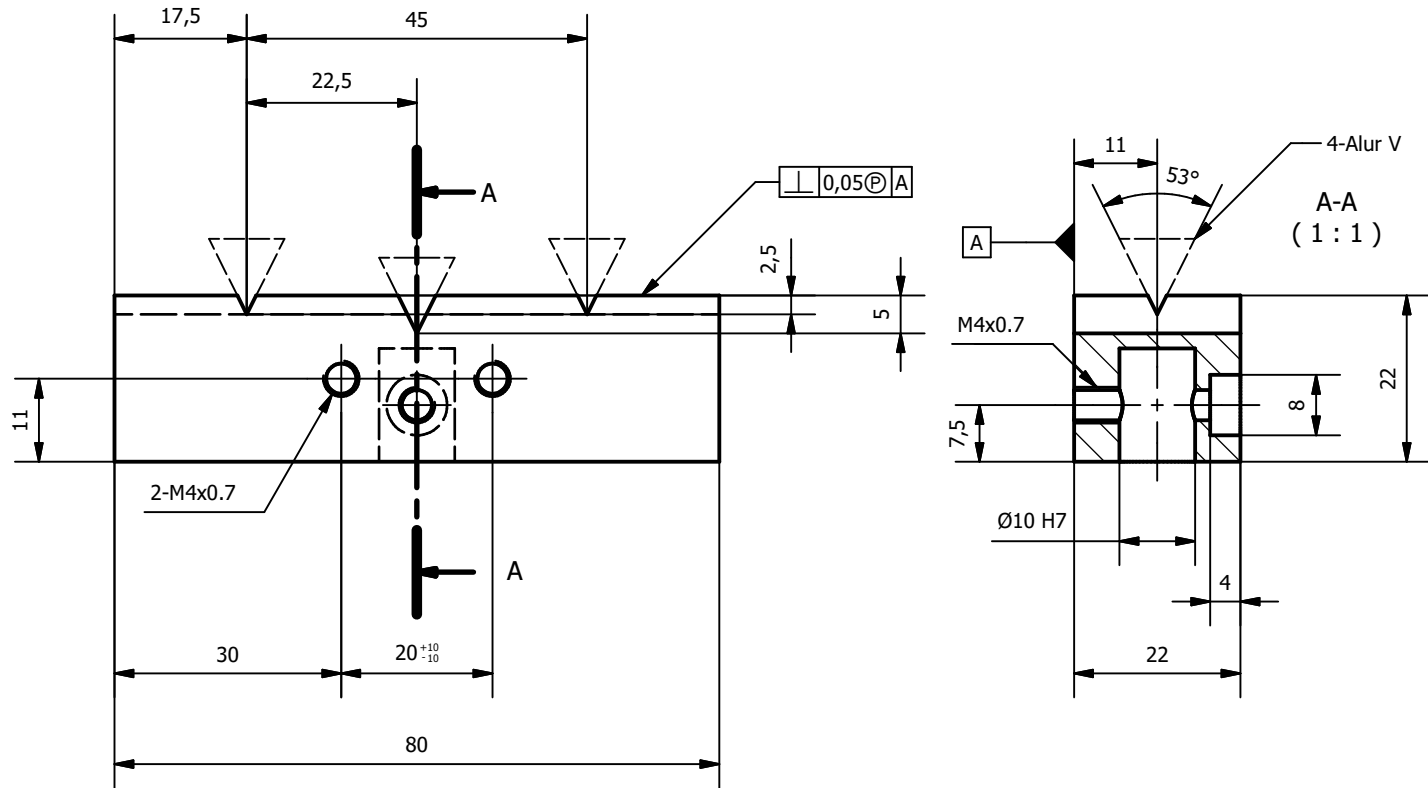
|              |       |          |          |                 |
|--------------|-------|----------|----------|-----------------|
| A3           | SCALE | MATERIAL | QUANTITY | Designed by     |
|              | 1:2   | -        | 1 pcs    | Date 28/05/2012 |
| MESIN FT UNY |       |          | BASE     | Approved by     |
|              |       |          |          | Date            |
| vsdrll       |       |          | -        | Job             |
|              |       |          |          | Date            |
| Attachment 1 |       | Sheet 2  |          | 8               |



N7 / Seluruhnya kecuali ditentukan lain

Tol ±0,05

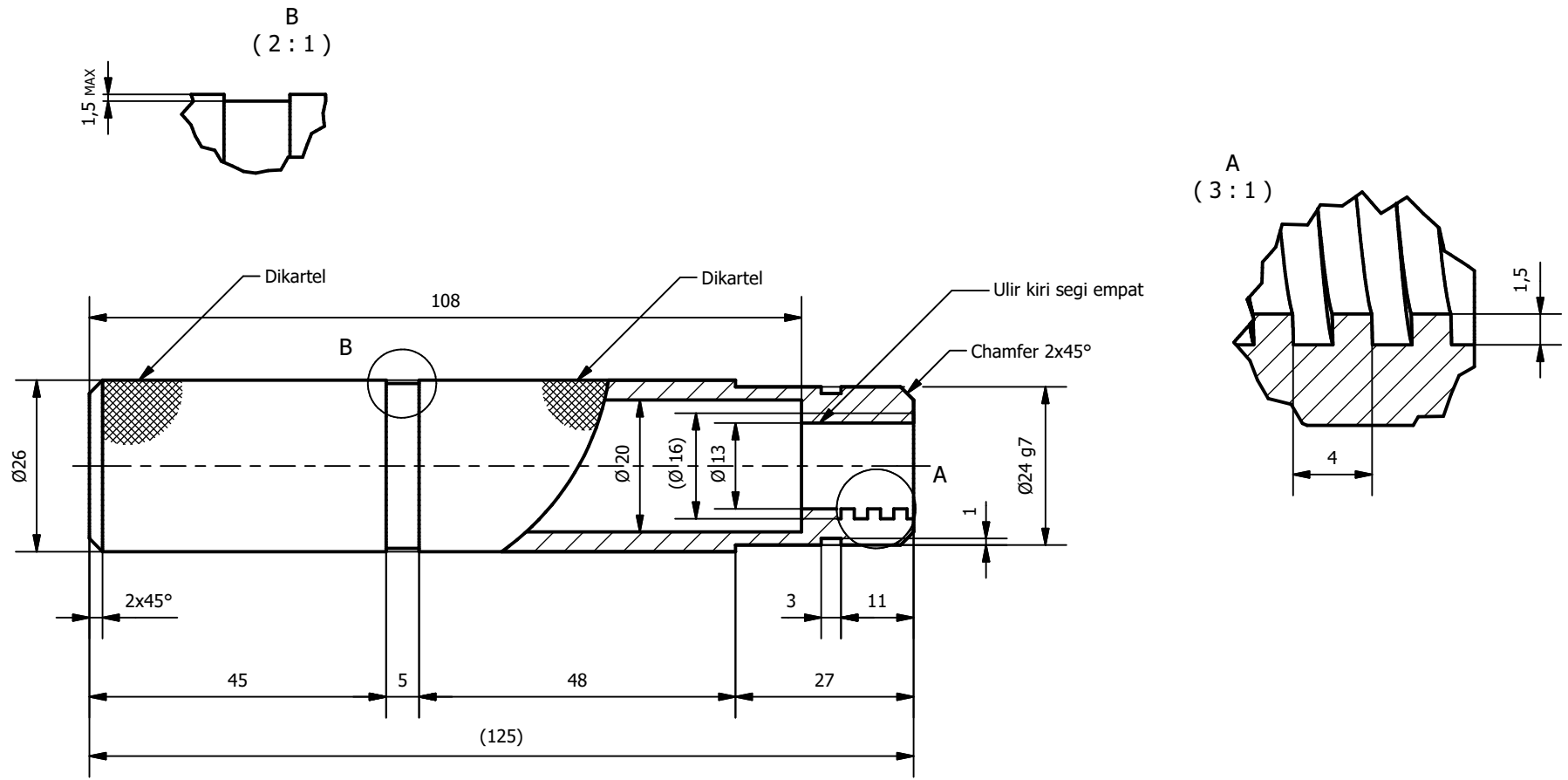
|  |       |            |           |              |                 |
|--|-------|------------|-----------|--------------|-----------------|
|  A4 | SCALE | MATERIAL   |           | QUANTITY     | Designed by     |
|  | 1:1   | Mild Steel | 100x25x25 | 1 pcs        | Date 28/05/2012 |
| MESIN FT UNY   |       | JOW        |           |              | Approved by     |
|  |       | vsdrll.02  | -         | -            | Date            |
|  |       |            |           | Job          |                 |
|  |       |            |           | Date         |                 |
|  |       |            |           | Attachment 1 | Sheet 3 / 8     |



N7/ *Seluruhnya kecuali ditentukan lain*

*Tol ±0,05*

|              |       |            |           |              |                 |
|--------------|-------|------------|-----------|--------------|-----------------|
|              | SCALE | MATERIAL   |           | QUANTITY     | Designed by     |
|              | 1:1   | Mild Steel | 100x25x25 | 1 pcs        | Date 28/05/2012 |
| MESIN FT UNY |       |            |           | MOVABLE JOW  | Approved by     |
|              |       |            |           | vsdrll.03    | -               |
|              |       |            |           | Attachment 1 | Sheet 4         |
|              |       |            |           | 8            |                 |




N7 / *Seluruhnya kecuali ditentukan lain*  
 Tol ±0,05

Gunakan acuan teori ulir segi empat dalam, kartel, tabel suaian lubang, tabel ukuran pasak, teknik pengecaman blank, teknik pengefraisan gigi cacing, tabel RPM, metrologi dan K3, serta SOP.

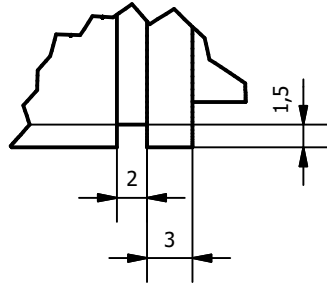
Mahasiswa wajib mengecek dan membenahi gambar di atas.

Batang ulir dan Batang pemutar sebagai bagian komponen dari alat Ragum Bor yang akan dirakit pada semester berikutnya.

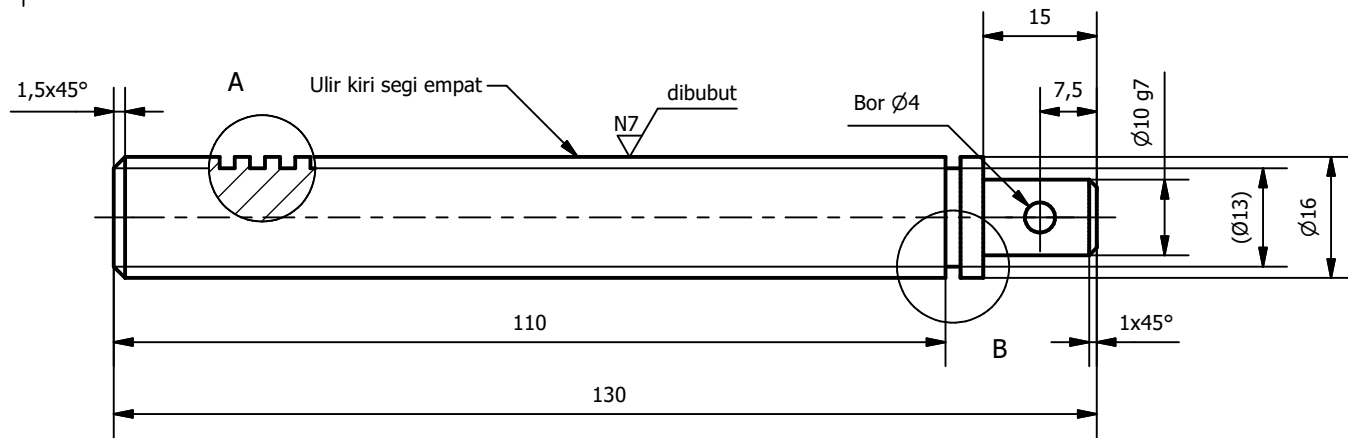
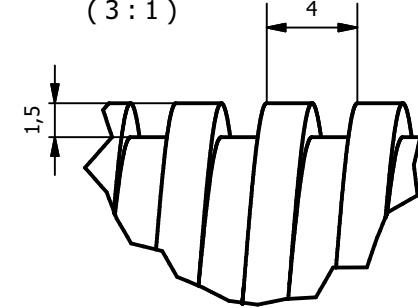
|  |       |            |         |             |                 |             |
|--|-------|------------|---------|-------------|-----------------|-------------|
|  A4 | SCALE | MATERIAL   |         | QUANTITY    | Designed by     |             |
|  | 1:1   | Mild Steel | Ø38x160 | 1 pcs       | Date 28/05/2012 |             |
| MESIN FT UNY   |       |            |         | CLAMP SCREW |                 | Approved by |
|  |       |            |         |             |                 | Date        |
| vsdrll.04  |       |            |         | -           |                 | Job         |
|  |       |            |         |             |                 | Date        |
| Attachment 1   |       | Sheet 5    |         | 8           |                 |             |



B  
(2 : 1)



A  
(3 : 1)



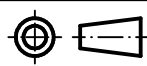
N7 / *Seluruhnya kecuali ditentukan lain*

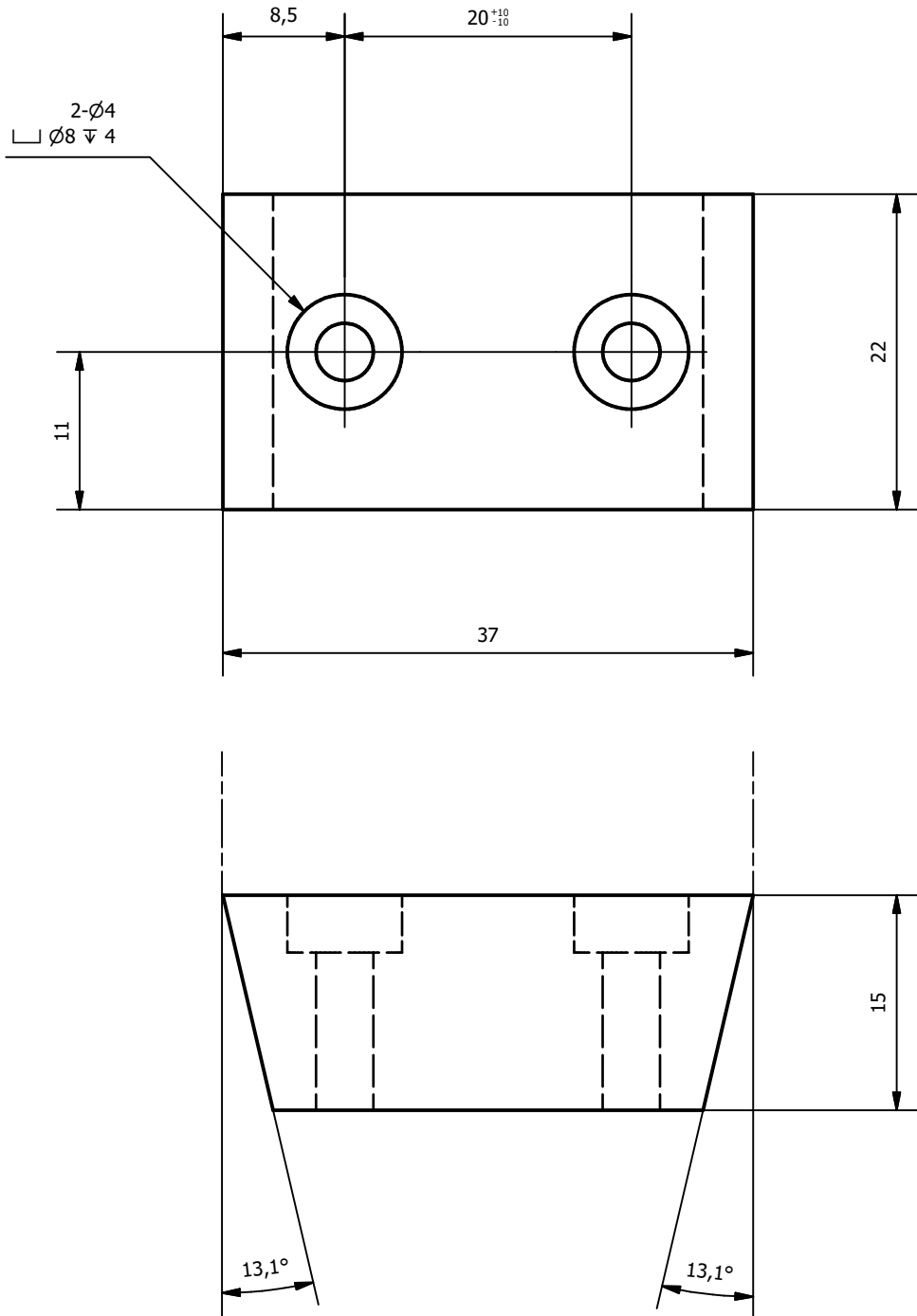
*Tol ±0,05*

Gunakan acuan teori ulir segi empat luar, kartel, tabel suai poros, tabel ukuran pasak, teknik pencekaman blank, teknik pengefraisan gigi cacing, tabel RPM, metrologi dan K3, serta SOP.

Mahasiswa wajib mengecek dan membenahi gambar di atas.

Batang ulir dan Batang pemutar sebagai bagian komponen dari alat Ragum Bor yang akan dirakit pada semester berikutnya.

|  |       |            |         |              |                 |
|--|-------|------------|---------|--------------|-----------------|
|  A4 | SCALE | MATERIAL   |         | QUANTITY     | Designed by     |
|  | 1:1   | Mild Steel | Ø38x160 | 1 pcs        | Date 28/05/2012 |
| MESIN FT UNY   |       |            |         | SCREW        | Approved by     |
|  |       |            |         | vsdrll.05    | -               |
|  |       |            |         |              | Job             |
|  |       |            |         |              | Date            |
|  |       |            |         | Attachment 1 | Sheet 6         |
|  |       |            |         |              | 8               |



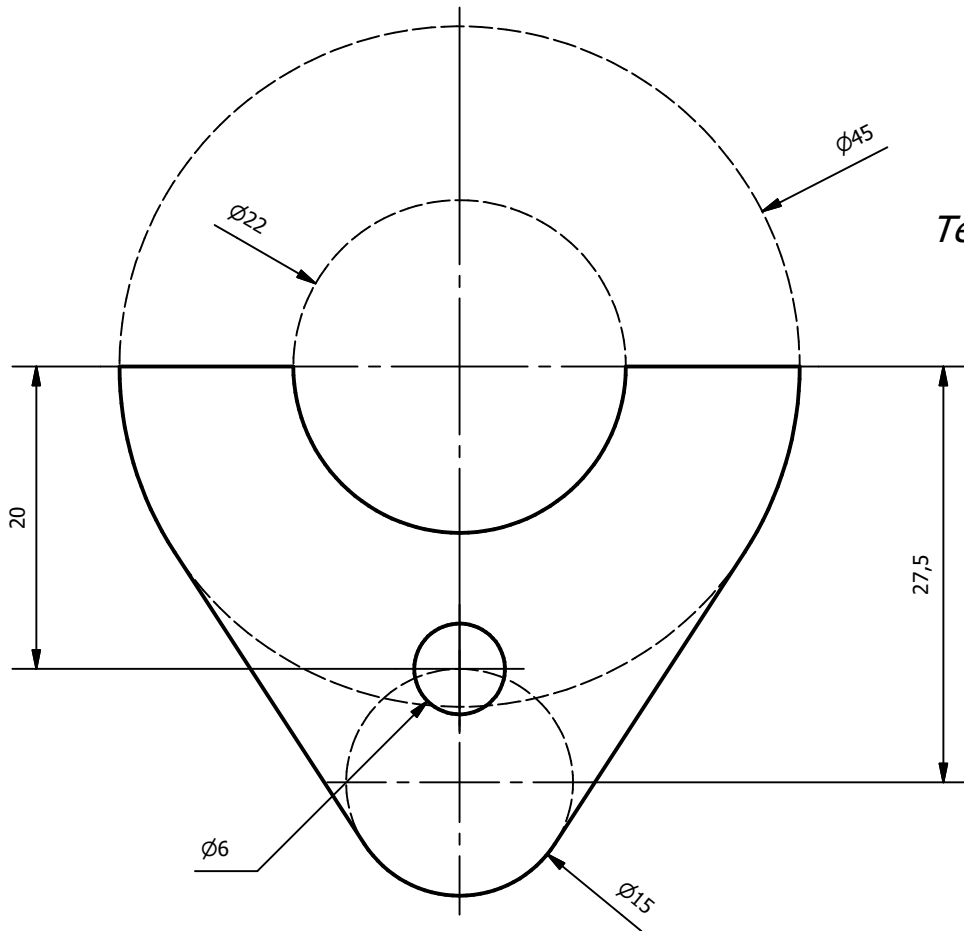
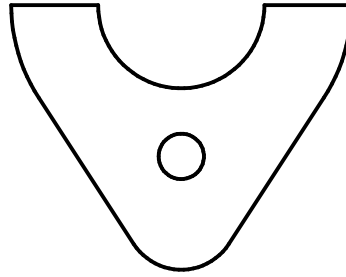
N7 / *Seluruhnya kecuali ditentukan lain*

*Tol ±0,05*

|              |       |            |          |                     |                 |             |
|--------------|-------|------------|----------|---------------------|-----------------|-------------|
| A4           | SCALE | MATERIAL   |          | QUANTITY            | Designed by     |             |
|              | 2:1   | Mild Steel | 40x25x25 | 1 pcs               | Date 28/05/2012 |             |
| MESIN FT UNY |       |            |          | MOVABLE JOW SUPPORT |                 | Approved by |
|              |       |            |          | vsdrll.06           |                 | -           |
|              |       |            |          | Date                |                 |             |
|              |       |            |          | Attachment 1        | Sheet 7         | 8           |

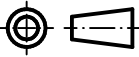


Mal  
1:1



Tebal=2

Tol ±0,1

|  |              |            |         |              |                 |             |      |
|--|--------------|------------|---------|--------------|-----------------|-------------|------|
|  A4 | SCALE<br>2:1 | MATERIAL   |         | QUANTITY     | Designed by     |             |      |
|  |              | Plat Eyzer | 50x50x2 | 1 pcs        | Date 28/05/2012 |             |      |
| MESIN FT UNY   |              |            |         | GRAB CLAMP   |                 | Approved by |      |
|  |              |            |         | vsdrill      |                 | -           | Date |
|  |              |            |         |              |                 | Job         |      |
|  |              |            |         |              |                 | Date        |      |
|  |              |            |         | Attachment 1 |                 | Sheet 8 / 8 |      |

